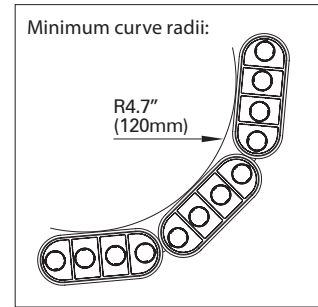
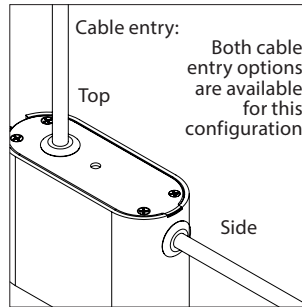
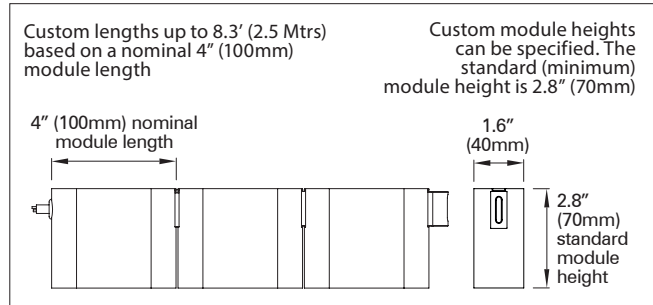
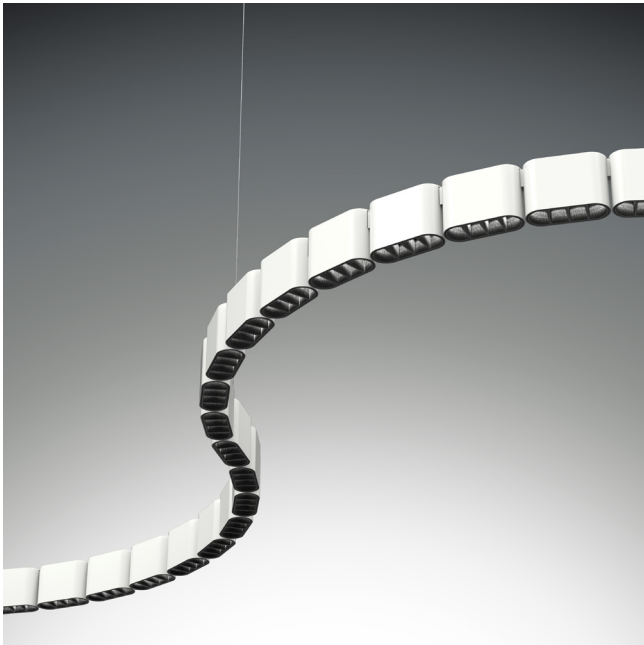


Centura 40 IP20 Class 2

Fixed s-curve modular LED pendant lighting system IP20

Down light - 2 or 4 x high power LEDs with lenses per module



Fixed modular LED pendant lighting system IP20 - Down light

Product description:

Modular s curved LED pendants in a range of sizes with down lights and decorative two-colour louvred snoots in custom finishes for use in a wide range of application areas. With custom curve radii up to a minimum of 4.7" (120mm) the s-curve is versatile and stylish.

Each module:

Down light - 4 x Cree XPE, XPG or XQE LEDs or Osram Oslon LEDs with Ledil Tina2 lenses

5 Watts per 4" (100mm) module

Up to 48 Volt DC supply

Integral LV constant current driver

Dimming options available: 1 - 10V, DMX and DALI

Various LED colour temperature and CRI options available

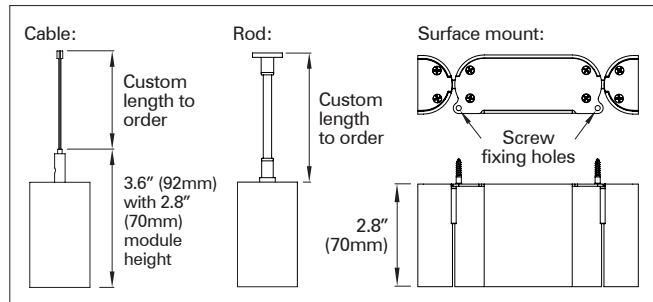
Body - Satin black, white or any RAL powder coat or anodized finish

Decorative anti-glare louvred snoots with custom powder coat or anodized finishes to order. The louvre finish can differ from the body

Standard and custom lengths based on a 4" (100mm) module up to 8.3" (2.5 mtrs)

Rod, cable or surface mount options. Custom solutions are available

* Colour mixing lens not available with Centura 40 IP20. See Centura 60 IP20 data sheets for versions with colour-blending Gaggione lens.



Down light LED / lens matrix	CREE XP-E		CREE XP-G	
	Tina	Heidi	Tina	Heidi
Diffused spot (D)	12 °	9 °	17 °	12 °
Real spot (RS)	11 °	8 °	15 °	9 °
Medium (M)	31 °	28 °	30 °	28 °
Wide (W)	50 °	32 °	57 °	31 °
Wide (WW)	55 °	44 °	58 °	44 °
Wide (WWW)	57 °	N/A	60 °	N/A
Elliptical (O)	32+14 °	48+10 °	35+16 °	47+14 °

Product Code	No. of LEDs per foot	IP	Length (mm)	LED Type	CRI	Colour Temp. (K)	Optics	Mounting Type	Cut angle(°)	Finish
RAD CENTURA 40 FLEXIBLE DOWN IP20	12 x LEDs per foot: 1" (25mm) pitch	20	4" (100mm) to 8.3' (2,500mm)	Cree: XP-E XP-G XQ-E	Cree: 80 90	27=2,700k 30=3,000k 35=3,500k 40=4,000k 45=4,500k 50=5,000k	Ledil Tina2: N, M, W, E, Diffused spot (See attached Ledil data sheets)	Steel Cable	0° - 75° Available in 5 degree increments	Body: Any powder coat or anodized finish
	6 x LEDs per foot: 2" (50mm) pitch		Available in 4" (100mm) increments	Osram: Oslon	95	* RGB * RGBW * RGBA * Dynamic white		Fixed rod Surface mount		Louvre: Any powder coat or anodized finish